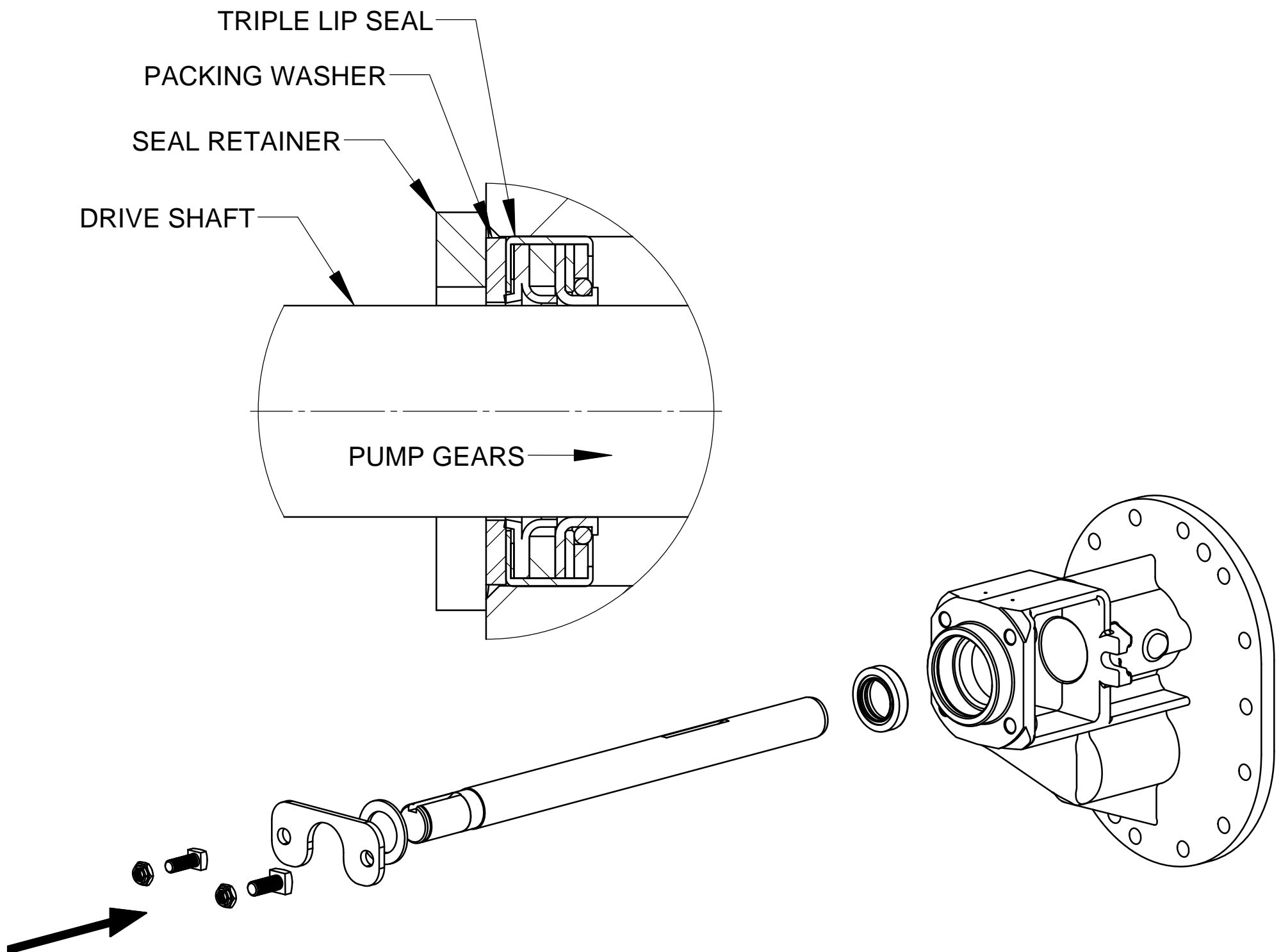


3532 - 4558 GHB VOP

CROSS SECTION OF INSTALLED SEAL



INSTALLATION OF TRIPLE LIP SEAL

1. It is very important the triple lip seal is not installed in such a way that it would have to slide over any retaining ring or grooves. Use a small file or stone to break sharp edges of drive shaft keyway that will be under pump drive gear.
2. Prior to installing the backplate assembly and driveshaft on the pump. Place the triple lip seal with two lips facing toward seal chamber onto opening of seal chamber in backplate. Press triple lip seal into seal chamber until back side of seal is flush with face of seal chamber. Take care to use a tool that will not damage or distort seal casing. Install one packing washer. Secure seal retainer in place. Continue assembling pump.